

KOMATSU

PC26MR-5

EU Stage V Engine

MINI-EXCAVATOR

PRELIMINARY



PC26

ENGINE POWER

15,8 kW / 21,2 HP @ 2.400 rpm

OPERATING WEIGHT

2.625 -2.855 kg

BUCKET CAPACITY

0,035 - 0,085 m³

Walk-Around

ENHANCED FUEL EFFICIENCY AND ENVIRONMENTAL PERFORMANCE

Powerful and Environmentally Friendly

- NEW** • Low consumption EU Stage V engine
- NEW** • Completely renewed for EU market

PG26MR-5



First-Class Comfort

- NEW** • Newly designed cab
- NEW** • Improved operator convenience
- NEW** • Multiple accessories around the operator's seat
- NEW** • Spring-assisted front windows

Maximized Versatility

- NEW** • Lehnhoff Powertilt available as factory fit
- NEW** • Relocated boom swing cylinder
- Proportional control for attachments (option)

Safety First

- NEW** • Dual lock system
- NEW** • Emergency engine stop switch
- NEW** • Seat belt caution indicator

Easy Maintenance

- NEW** • Fully opening engine door and side cover
- NEW** • Long-life hydraulic oil filter
- NEW** • Lowered fuel filler for easier refueling

KOMTRAX

- NEW** • Komatsu Wireless Monitoring System
- NEW** • Integrated communication antenna
- NEW** • 4G mobile communications
- NEW** • Increased operational data and reports



Newly designed MR-5 cabin with wider entrance, much more space for the operator and many improved safety features.



The swing cylinder is now relocated to the left side of the excavator to minimise protrusion. The operator doesn't have to worry about it when working near a wall.



Daily inspection points are accessible faster and more conveniently.

ENGINE

Model	Komatsu 3D76E-6
Type	Swirl chamber
Engine power	
at rated engine speed	2.400 rpm
ISO 14396	15,8 kW / 21,2 HP
ISO 9249 (net engine power)	15,4 kW / 20,7 HP
No. of cylinders	3
Bore × stroke	76 × 82 mm
Displacement	1.115 cm ³
Max. torque / engine speed	137 Nm / 1.440 rpm
Air filter type	Dry

OPERATING WEIGHT (APPR.)

Rubber shoes	2.720 kg
Steel shoes	2.830 kg

Operating weights with cabin

DIMENSIONS & WORKING RANGE

Arm length	mm	1.115	1.370
A Overall length	mm	4.045	
B Overall width	mm	1.500	
C Overall height	mm	2.560	
D Tail swing radius	mm	870	
E Track length	mm	1.945	
F Track gauge	mm	1.200	
G Shoe width	mm	300	
H/I Boom swing angle	°	75 / 50	
J Boom offset LH	mm	510	
K Boom offset RH	mm	760	
a Max. digging height	mm	4.140	4.340
b Max. dumping height	mm	2.930	3.090
c Max. digging depth	mm	2.470	2.720
d Max. vertical wall digging depth	mm	1.540	1.760
e Max. digging reach	mm	4.430	4.660
f Max. digging reach at ground level	mm	4.280	4.530
g Min. swing radius	mm	2.010	2.075
Min. swing radius at boom swing	mm	1.580	1.645
Max. blade lift	mm	325	
Max. blade depth	mm	325	

HYDRAULIC SYSTEM

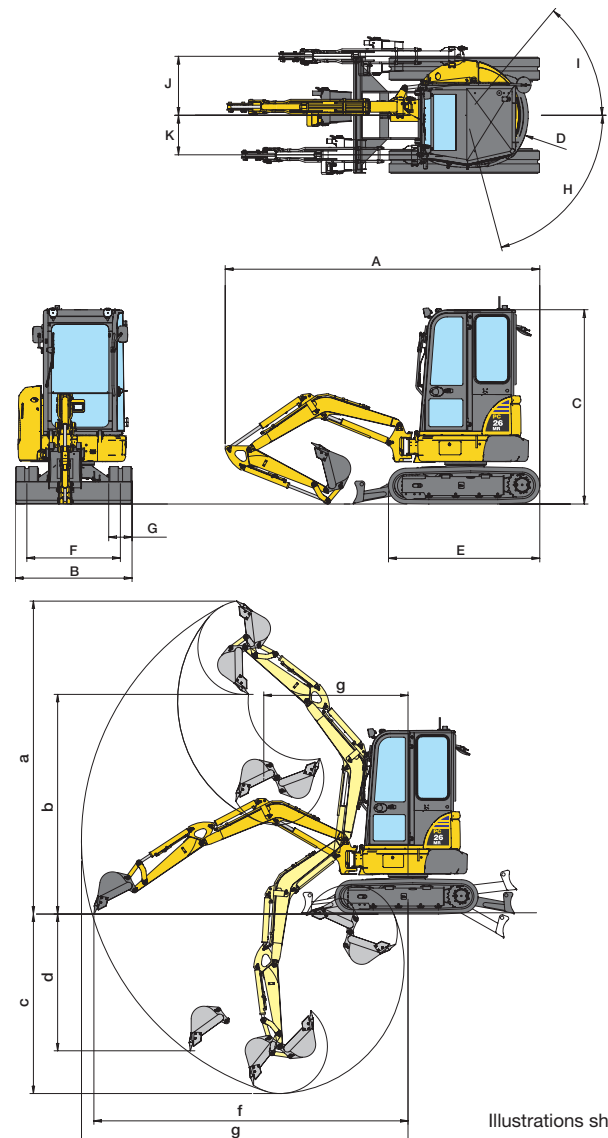
Type	Komatsu CLSS
Maximum pump flow	49,5 + 15,5 + 10,9 l/min
Max. operating pressure	24,5 MPa (250 bar)
Bucket digging force (ISO 6015)	22 kN
Arm crowd force (ISO 6015)	14 kN

DRIVES AND BRAKES

Steering control	2 levers with pedals giving full independent control of each track
Drive method	Hydrostatic
Max. travel speeds	
Lo / Hi	2,4 / 4,0 km/h
Maximum drawbar pull	2.650 kgf

UNDERCARRIAGE

Construction	X-frame centre section with box section track frames
Shoe width	300 mm



Illustrations show MR-3